

A5 Flying Probe Test System

For rigid PCBs



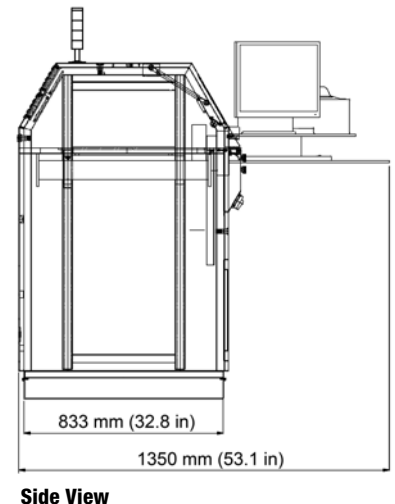
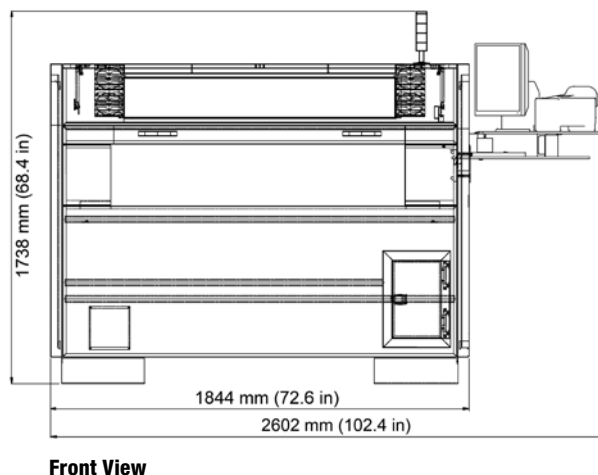
- ▲ 8 Test Heads
- ▲ Standard Shuttle
- ▲ Soft Touch Probe
- ▲ Kelvin 4-Wire Testing

atg[®]

LUTHER &
MAELZER[®]

Technical Specification

Flying Probe Test System A5



Mechanics

Basic unit with 8 test probes (4 top, 4 bottom)	
Variable board fixing system, multi board test	
Max. board size (X x Y)	650 x 475 mm / 25.6" x 18.7"
Test area (X x Y)	610 x 460 mm / 24.0" x 18.0"
Board thickness	up to 7 mm
Smallest pad	50 μ m / 2.0 mil
Smallest pitch	100 μ m / 4.0 mil
System accuracy	$\pm 20 \mu$ m / ± 0.8 mil
Repeatable accuracy	$\pm 10 \mu$ m / ± 0.4 mil
Soft touch probes	5 to 15 g / no witness marks
or	
Rigid probes	10 to 100 g

Electronics

Continuity test	1 Ω to 10 k Ω
Isolation test	up to 25 M Ω (FM), up to 2 G Ω (ohmic) MicroShort Detection [®]
Test voltage	up to 500 V (ohmic)

Camera System

4 cameras (640 x 480 pixel) for rapid optical scanning
of top and bottom side
Resolution from 13 μ m / pixel

Options

- 4-wire measurement:

1 m Ω to 1 k Ω	± 2 %, min. ± 0.1 m Ω
with Kelvin probes	0.2 to 5 g
- Embedded components test:

R	0.5 Ω to 10 M Ω	± 0.5 %, min. ± 0.5 Ω
	>10 M Ω to 50 M Ω	± 2 %
C	0.1 pF to 1.5 pF	± 2 %, min. ± 0.03 pF
L	0.2 μ H to 5 mH	± 3 %, min. ± 0.1 μ H
- LaTest[®] open detection
with LaTest[®] probes: 1 to 10 g
Measurement current: 0.7 A DC + 0.7 A AC (1 kHz)
- Vacuum box for single-sided test of inner layers and flexible boards,
flip test for double sided boards
- Retest of fault files from grid test systems with barcode support
- Repair software with barcode support

Data Input Format	IPC-D-356A
Network Connection	Ethernet, TCP / IP
Power Supply	230 V, 50 Hz (115 V, 60 Hz), 1800 VA
Compressed Air	not required
Temperature	18 $^{\circ}$ C to 27 $^{\circ}$ C / 66 $^{\circ}$ F to 81 $^{\circ}$ F, ± 3 K
Relative Humidity	40% to 60%
Machine Weight	1200 kg (2645 lb)

All information subject to change without notice!
December 2011

atg Luther & Maelzer GmbH

Zum Schlag 3 • 97877 Wertheim • Germany
Phone +49-9342-291-0 • Fax +49-9342-395 10
sales@atg-lm.com • www.atg-lm.com

atg Luther & Maelzer GmbH

Hagenburger Strasse 54 • 31515 Wunstorf • Germany
Phone +49-5031-174-0 • Fax +49-5031-174 109
sales@atg-lm.com • www.atg-lm.com

atg[®]

LUTHER & MAELZER[®]