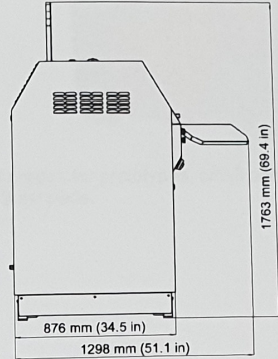
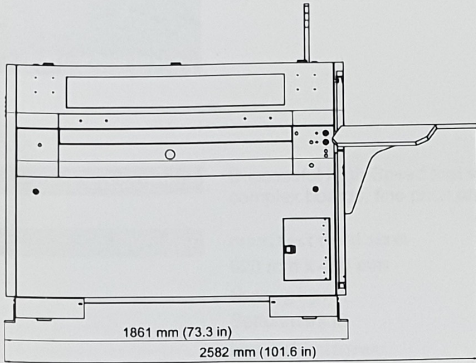


Specifications

A5



MECHANICS

Basic unit with 8 test probes (4 top, 4 bottom)
 Variable board fixing system, multi board test
 Test area (X x Y): 20.4" x 15.7" (520 x 400 mm)
 Max. board size: 26" x 18" (660 x 460 mm)
 Board thickness: up to 6 mm
 Probe accuracy: $\pm 20 \mu\text{m}$ (± 0.8 mil)
 Smallest pad: 50 μm (2 mil)
 Smallest testable pitch: 100 μm (4 mil)
 Repeatable accuracy: $\pm 10 \mu\text{m}$ (± 0.4 mil)
 High speed 48 V motors

ELECTRONICS

Continuity test: 1 Ω to 10 k Ω ,
 $\pm(0.5 \Omega \pm 0.5 \%)$
 Isolation test: up to 25 M Ω (FM),
 200 M Ω (ohmic) ?
 Test voltage: up to 500 V
 Continuity threshold: 1 Ω to 2 k Ω ?

TEST PROBES

Contact pressure: 10 to 100 g (0.35 to 3.53 oz)
 Probe speed: 10 to 100 mm/s (0.39"/s to 3.94"/s)
 Z-axis travel: 0.75 to 20 mm (0.03" to 0.79")

CAMERA SYSTEM

2 cameras for optical scanning of top and bottom side
 Adjustable accuracy: 5 to 100 μm
 Automatic shrinkage compensation
 Free selectable scan marks

OPTIONS

Selective high voltage test up to 500 V with selective
 isolation test up to 500 M Ω
 Four-wire measurement: 5 m Ω to 1 k Ω (± 2 m Ω)
 Fault verification and retest, with barcode support: atg
 flying probe and grid test. Grid test: ECT, L&M, Circuit
 Line, Mania and TTI

Embedded components:

Measurement	Tolerance
R	1 Ω to 50 M Ω $\pm(0.5 \Omega \pm 0.5 \%) < 10 \text{ M}\Omega$ $\pm 2 \% > 10 \text{ M}\Omega$
C	0.1 pF to 100 μF $\pm(0.03 \text{ pF} \pm 2 \%)$
L	0.2 μH to 5000 μH

Tension frame for flexible, double sided boards.
 Active test area: 20.5" x 15.8" (520 x 400 mm)
 Max. board size: 24.0" x 18.0" (610 x 460 mm)
 Vacuum box for single-sided test of inner layers and
 flexible boards, allowed board size like test system.
 Glass calibration board for accuracy $\pm 10 \mu\text{m}$.
 Repair station with camera system and barcode support

NETWORK CONNECTION

Ethernet, TCP/IP

POWER

230 V, 50 Hz (115 V, 60 Hz), 1800 VA

TEMPERATURE

19 °C to 27 °C (66 °F to 81 °F), ± 3 K

RELATIVE HUMIDITY

40 % to 60 %

WEIGHT

1210 kg (2670 lb)



atg test systems GmbH & Co. KG
 Zum Schlag 3
 D-97877 Wertheim
 Tel.: +49 (0) 93 42 / 2 91-0
 Fax: +49 (0) 93 42 / 3 95 10
 E-mail: atg@atg-test-systems.com
 www.atg-test-systems.com