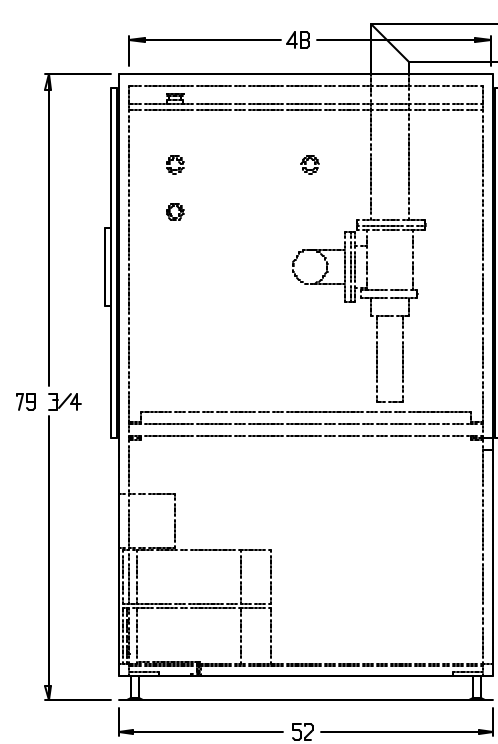
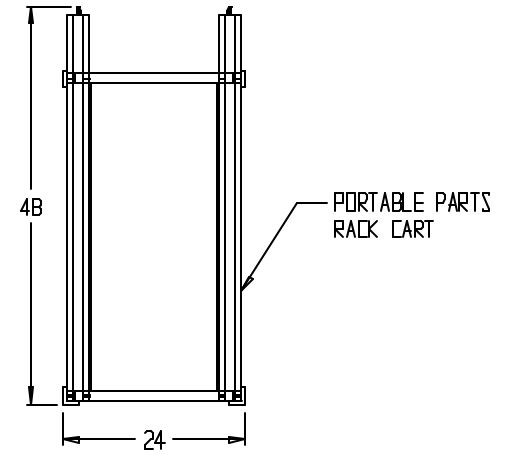
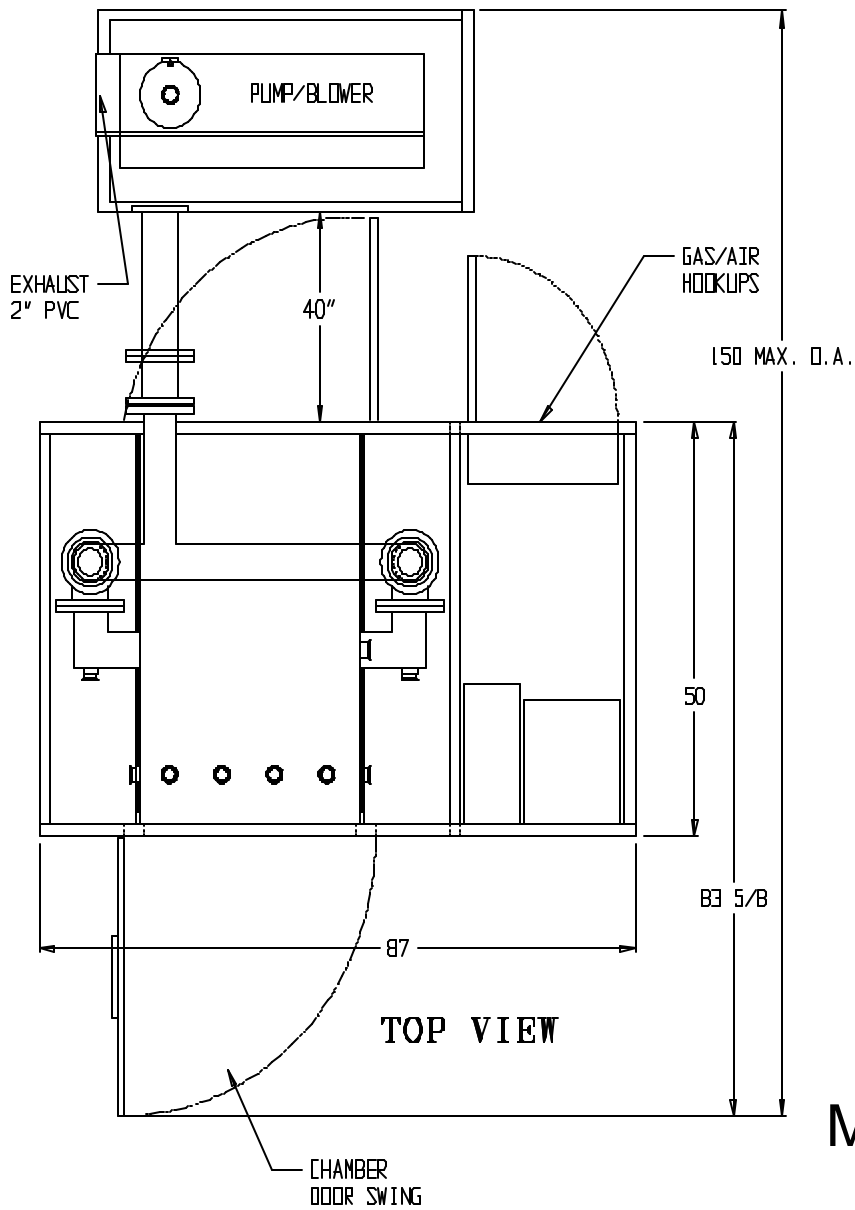


FRONT VIEW



RIGHT SIDE VIEW

March Plasma Systems PCB1600



March Plasma Systems PCB1600