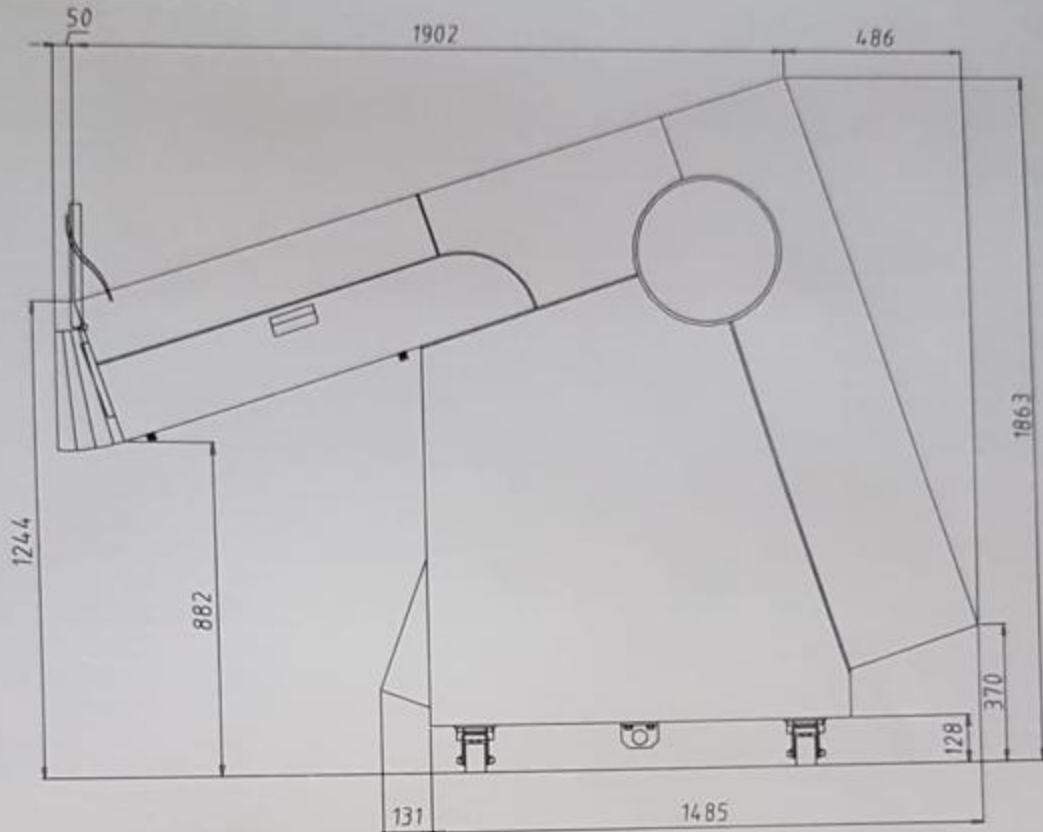
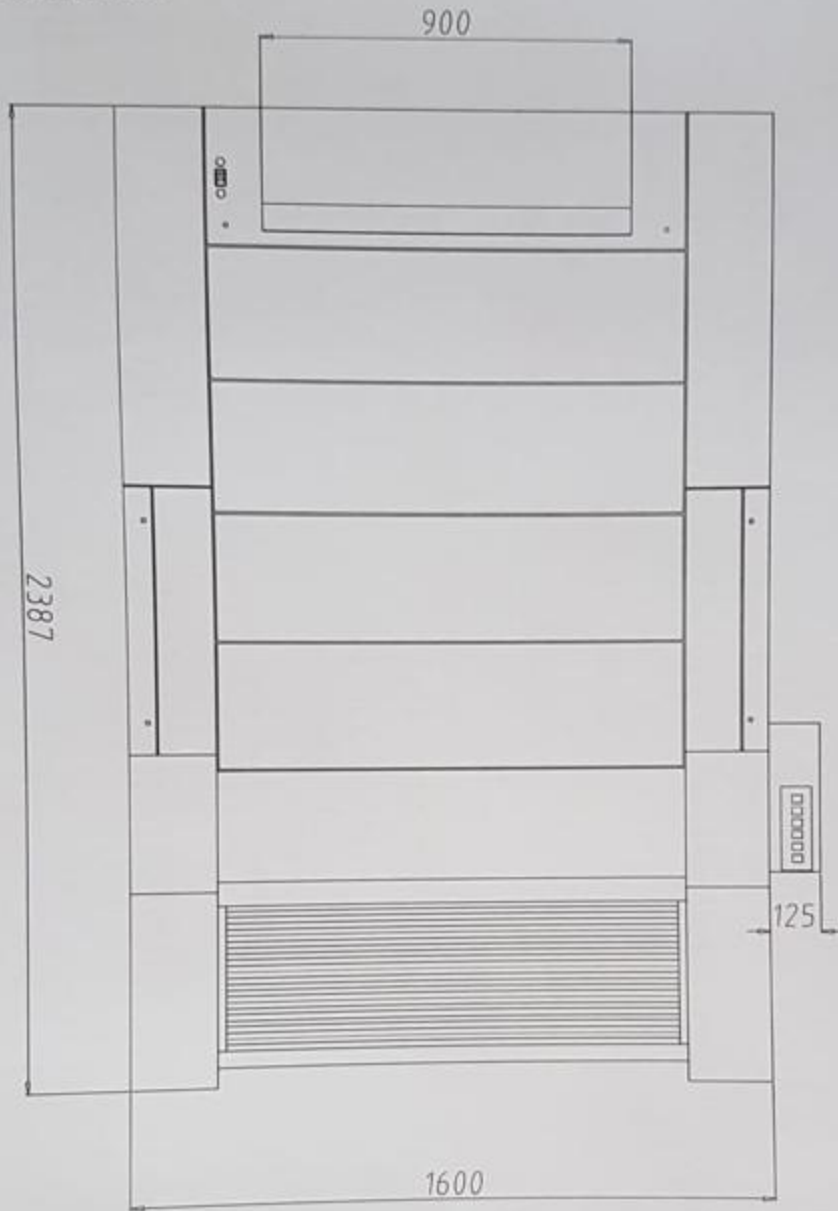


2.2.16. Left View



Note: All dimensions shown are in millimeters. To convert millimeters into inches, multiply by 0.03937.

2.2.14. Top View



Note: All dimensions shown are in millimeters. To convert millimeters into inches, multiply by 0.03937.