

data sheet

Colenta

IL- PCB Film Processor
TYPE: 56 - 110 NG & NGs



Colenta

To be used for all type of common used PCB Films
for roll- and or sheetfeed format.

IL PCB NG -Typ: 82 cm/min at 30 sec dev time

IL PCB NGs -Typ: 115 cm/min at 30 sec dev time



Colenta 56 - 110 NG & NGs

Technical Specifications

All Colenta IL PCB processors support 6 programmable processing channels, an intermediate rinse bath rack system, covered stand, daylight feed box, hose/tube connection (100 mm dia.) facility for ventilation of the processors wet-section to an external exhaust fan and supplied with 2 x 30 lt replenishment storage tanks

With level control in **DEV/FIX** processor tanks to automatically “top-up” chemistry when levels are low.

With additional filtration for **DEV, FIX and WASH** inc. square meter based software control

With level control in wash tanks: high/low level monitoring with alarm warning.

With automatic wash tank “fill” when processor is switched on.

Film thickness: up to 0,3mm

Material width: min. 7,5 cm max. **56/66/80/95/110** cm

Material length: min. 10 cm

Time in Developer: **NG:** min. 10 sec - max. 120 sec

NGs: min. 15 sec - max 160 sec

Input speed. **NG:** 30sec/DEV-Time 82cm/min

NGs: 30sec/DEV-Time 115cm/min

| | | 56NG | 66NG | 80NG | 95NG | 110NG |
|---------------------------------------|-------------|-------------|-------------|-------------|-------------|--------------|
| Tank capacity - (incl. Filter) | Developer: | 15l | 18l | 24l | 28l | 38l |
| | Fixer: | 15l | 18l | 24l | 28l | 38l |
| | Wash water: | 17l | 20l | 26l | 30l | 40l |

| | | 56NGs | 66SNGs | 80NGs | 95NGs | 110NGs |
|---------------------------------------|-------------|--------------|---------------|--------------|--------------|---------------|
| Tank capacity - (incl. Filter) | Developer: | 11l | 14l | 17l | 20l | 27l |
| | Fixer: | 11l | 14l | 17l | 20l | 27l |
| | Wash water: | 13l | 16l | 19l | 22l | 29l |

Solution heating(Fix and DEV): adjustable in a range of 18°C - 43°C (separate inline 800W heaters)

Dryer: warm air
variable in a range of 30°C - 60°C

Replenishment: fully automatic.
replenishment is microprocessor controlled and calculated from information received from sensors measuring the width and length of material entering the processor. Replenishment cycles are adjustable.

Wash water distribution: 2 x built water solenoid 1 for wash and 1 for cooling

Wash water flow rate: 3,5 ltr/min when film is processed

Wash water supply pressure: 3 - 10 bar

Wash water supply: filtered at a temperature of 8°C - 15°C

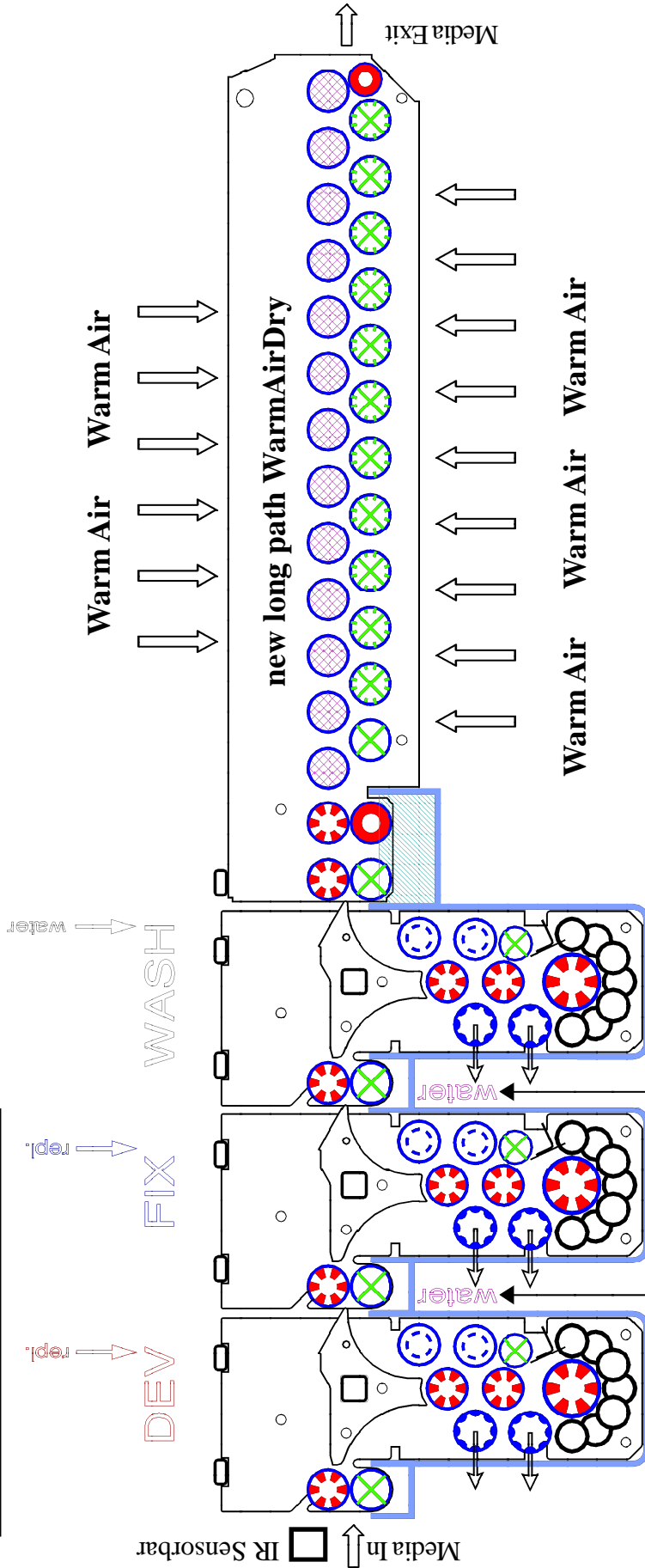
with 3/4" hose connection

Wash water drain: 32mm (5/4inch) hose or tube

| <u>Weight:</u> | | 56NG | 66NG | 80NG | 95NG | 110NG |
|-----------------------|---------------|--------------|---------------|--------------|--------------|---------------|
| | Empty | 200 kg | 220 kg | 250 kg | 290 kg | 325 kg |
| | With solution | 245 kg | 274 kg | 313 kg | 359 kg | 400 kg |
| | | 56NGs | 66SNGs | 80NGs | 95NGs | 110NGs |
| | Empty | 212 kg | 235 kg | 265 kg | 305 kg | 340 kg |
| | With solution | 245 kg | 280 kg | 316 kg | 362 kg | 406 kg |

Capacity: 82 cm/min at 30sec DEV time

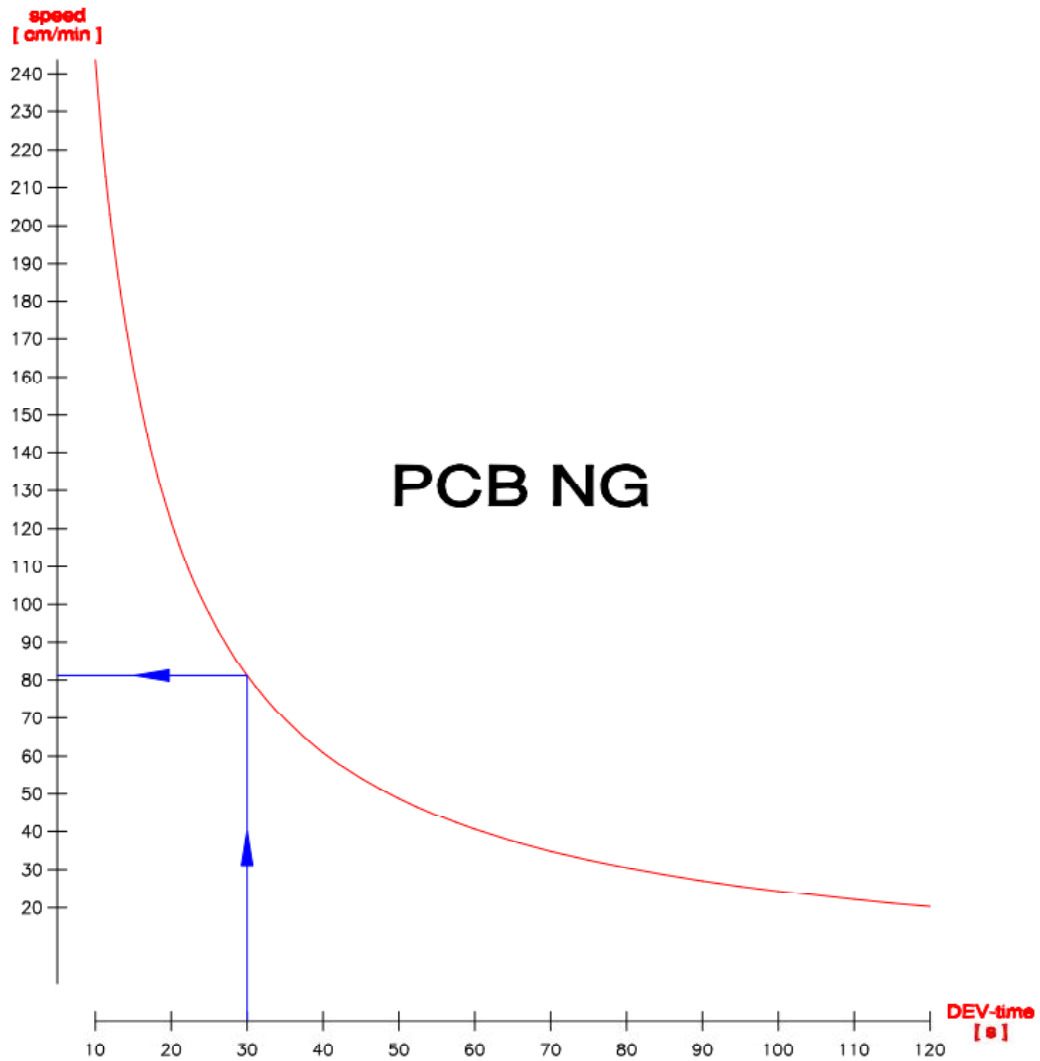
Process overview:



Rinsed crossover rollers to minimize the carry over of chemistry from one section to the next

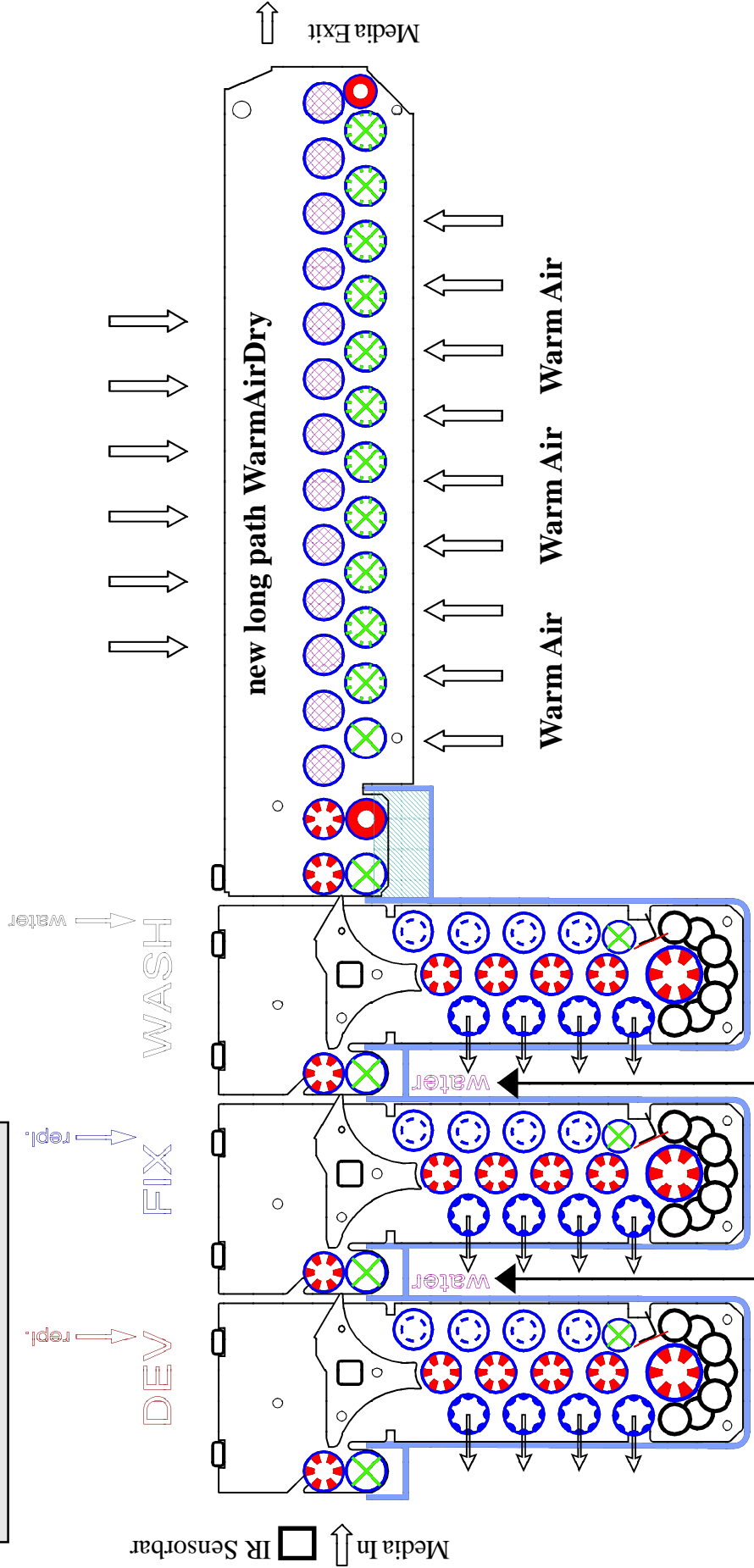
Colenta PCB 56 - 110 NG

Production Graph:



Capacity: 115 cm/min at 30sec DEV time

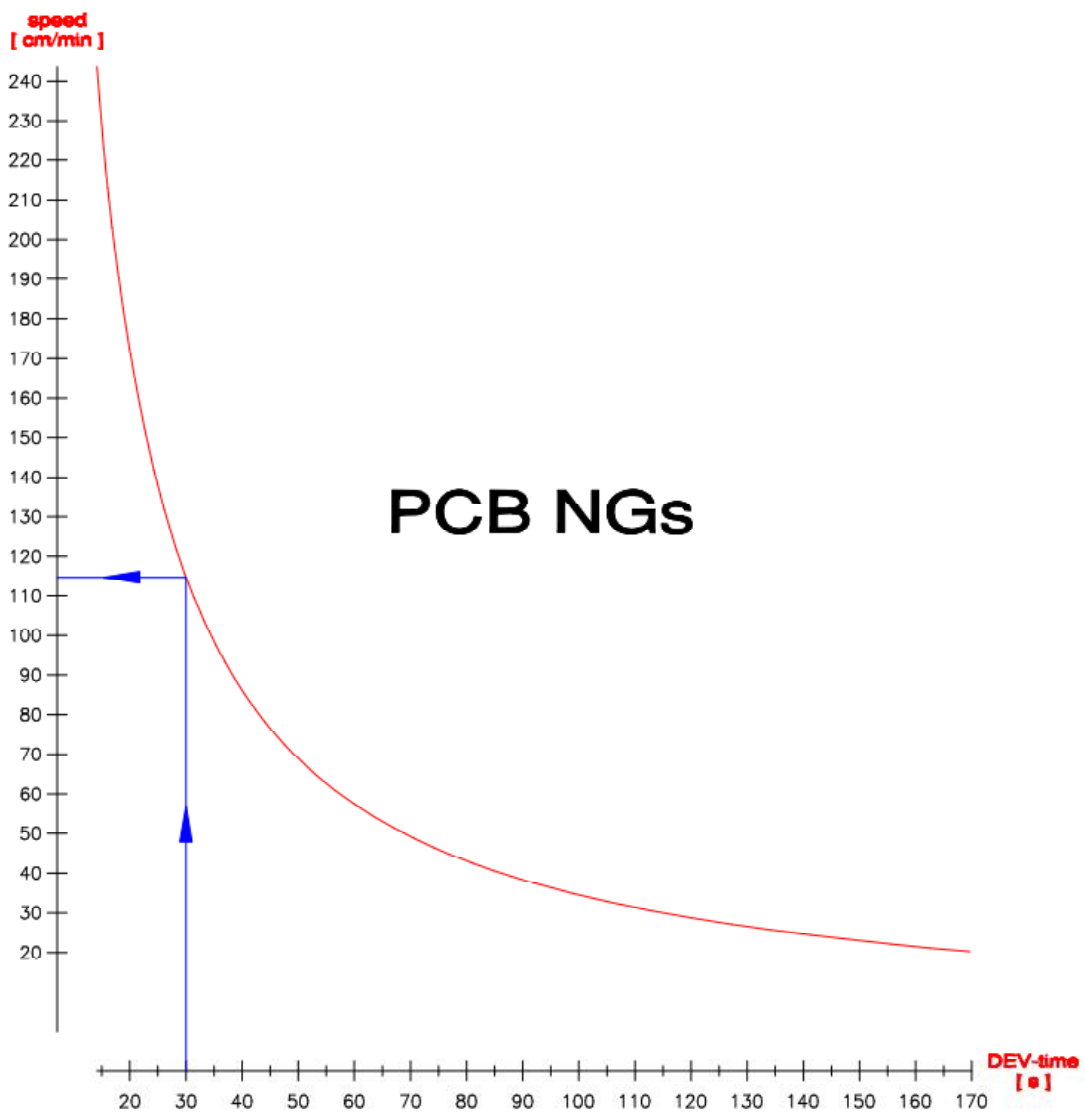
Process overview:



Rinsed crossover rollers to minimize the carry over of chemistry from one section to the next

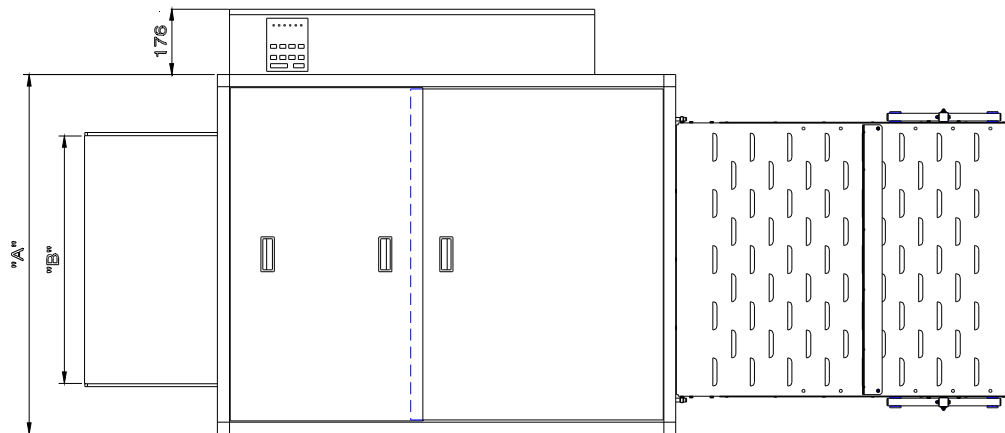
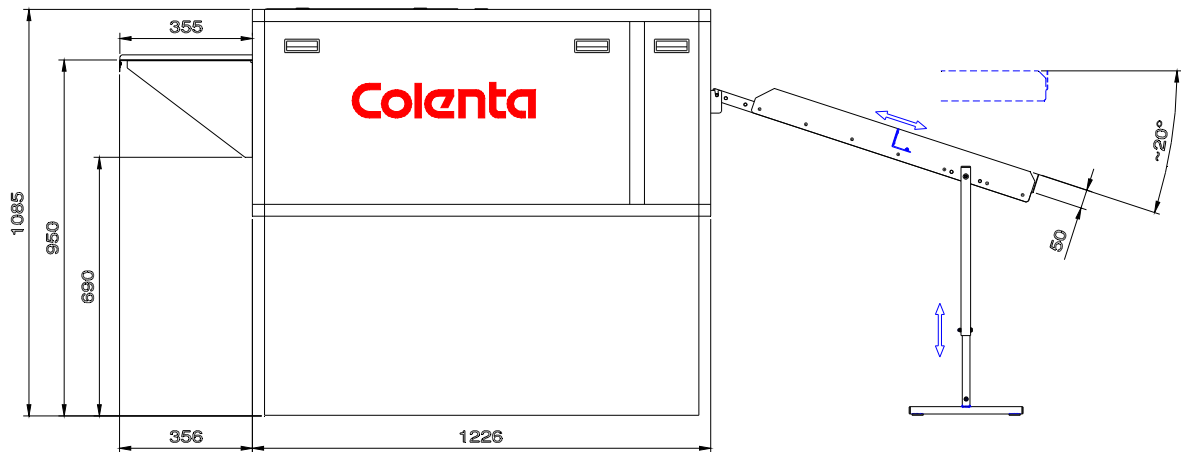
Colenta PCB 56 - 110 NGs

Production Graph:



Colenta 56 - 110 NG & NGs

Dimensions: for standard (NG) & speed Version (NGs):



| | A | B |
|----------------|--------|--------|
| IL 56 PCB NGx | 860mm | 560mm |
| IL 66 PCB NGx | 960mm | 660mm |
| IL 80 PCB NGx | 1100mm | 800mm |
| IL 95 PCB NGx | 1250mm | 950mm |
| IL 110 PCB NGx | 1400mm | 1100mm |



We recommend a minimum walking space around the processor of 50cm.

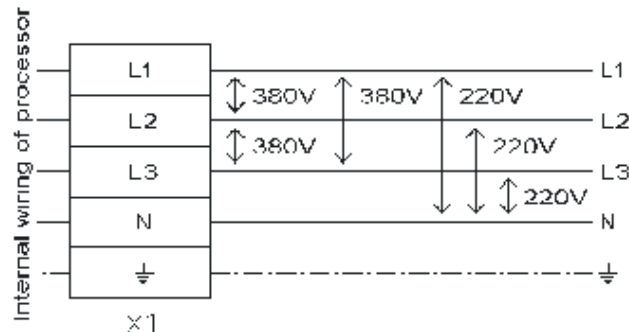
Colenta 56 - 110 NG & NGs

Electrical Supply: (Standard, when 3N~400/230V, 50/60 Hz is supply available)

3N~400/230V 50/60Hz

| <u>IL 56 NG</u> | <u>IL 66 NG</u> | <u>IL 80 NG</u> | <u>IL 95 NG</u> | <u>IL 110 NG</u> |
|-----------------|-----------------|-----------------|-----------------|------------------|
| 5,6 kW | 7,2 kW | 7,2kW | 8,8 kW | 10,4 kW |
| 13 A | 16 A | 16 A | 20 A | 20 A |

ATTENTION:
PROCESSOR TO BE CONNECTED TO
SUPPLY NET: 3N~380/220V 50/60Hz



In case the above voltages are not available at site, please contact your local dealer or the factory for rewiring advice.

Colenta 56 - 110 NG & NGs

Electrical Supply: (alternatives, to be indicated when ordering)

3~230V 50/60Hz

IL 56 NG
5,6 kW
16 A

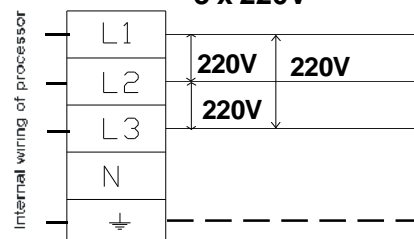
IL 66 NG
7,2kW
20 A

IL 80 NG
7,2 kW
20 A

IL 95 NG
8,8 kW
32 A

IL 110 NG
10,4 kW
32A

ATTENTION:
PROCESSOR TO BE CONNECTED TO
SUPPLY NET: **3 x 220V**



In case the above voltages are not available at site, please contact your local dealer or the factory for rewiring advice.

230V 50/60Hz

IL 56 NG
5,6 kW
25 A

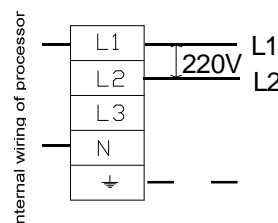
IL 66 NG
7,2kW
32 A

IL 80 NG
7,2 kW
32 A

IL 95 NG
8,8 kW
50 A

IL 110 NG
10,4 kW
50 A

ATTENTION:
PROCESSOR TO BE CONNECTED TO
SUPPLY NET: 220V 50/60Hz



In case the above voltages are not available at site, please contact your local dealer or the factory for rewiring advice.

Colenta 56 - 110 NG & NGs

Electrical Supply: (alternatives, to be indicated when ordering)

3~200V 50/60Hz

IL 56 NG

4,2 kW

16 A

IL 66 NG

5,5kW

20 A

IL 80 NG

5,5 kW

20 A

IL 95 NG

6,8 kW

25 A

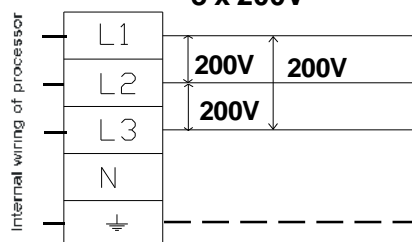
IL 110 NG

8,1 kW

25 A

ATTENTION:

PROCESSOR TO BE CONNECTED TO
SUPPLY NET: **3 x 200V**



In case the above voltages are not available at site, please contact your local dealer or the factory for rewiring advice.

~200V 50/60Hz

IL 56 NG

4,2 kW

25 A

IL 66 NG

5,5kW

32 A

IL 80 NG

5,5 kW

32 A

IL 95 NG

6,8 kW

40 A

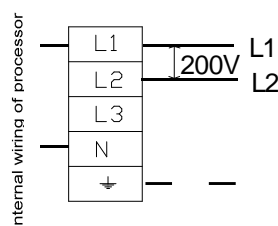
IL 110 NG

8,1 kW

50 A

ATTENTION:

PROCESSOR TO BE CONNECTED TO
SUPPLY NET: 220V 50/60Hz



In case the above voltages are not available at site, please contact your local dealer or the factory for rewiring advice.

Colenta 56 - 110 NG & NGs

Details for shipment:

| | |
|-----------------------------|---|
| 56 NG / 56 NGs | packing dimensions: 1 carton box on palette 180cm x 113cm x 142cm (L x W x H) packing volume: 2,88 m ³ weight with packing: 375 kg |
| 66 NG / 66 NGs | packing dimensions: 1 carton box on palette 183cm x 120cm x 140cm (L x W x H) packing volume: 3,07 m ³ weight with packing: 405 kg |
| 80 NG / 80 NGs | packing dimensions: 1 carton box on palette 180cm x 135cm x 140cm (L x W x H) packing volume: 3,40 m ³ weight with packing: 450 kg |
| 95 NG / 95 NGs | packing dimensions: 1 carton box on palette 180cm x 150cm x 145cm (L x W x H) packing volume: 3,91 m ³ weight with packing: 535 kg |
| 110 NG / 110 NGs | packing dimensions: 1 carton box on palette 180cm x 152cm x 155cm (L x W x H) packing volume: 4,24 m ³ weight with packing: 580 kg |