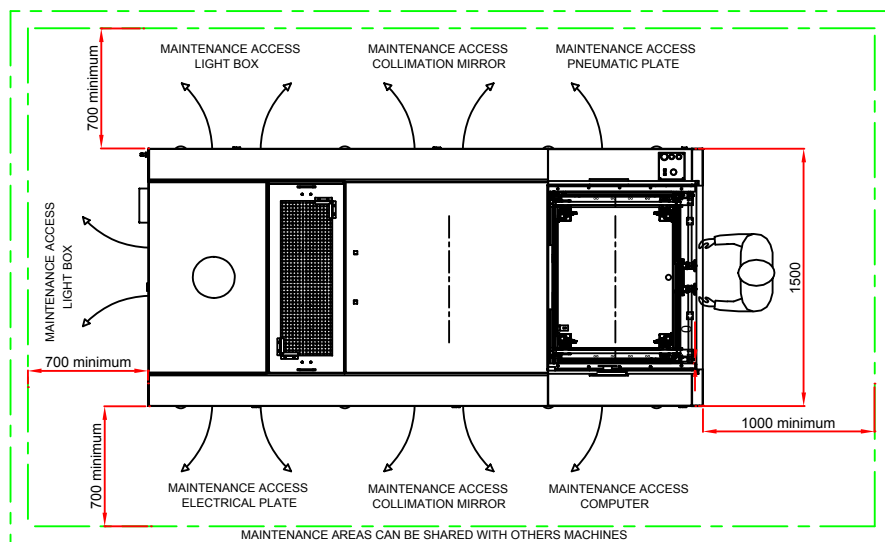
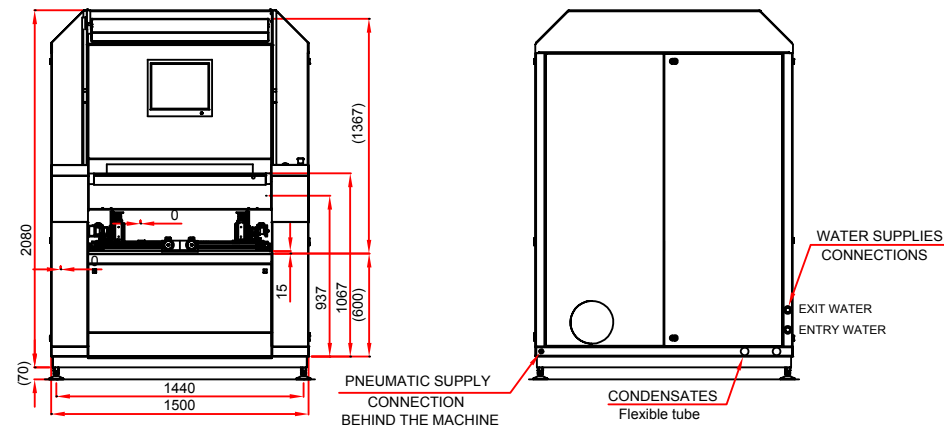


ELECTRICAL SUPPLY WIRE THROUGH THE HOLE IN THE BOTTOM OF THE BASIC FRAME CONNECTION INSIDE ON A TERMINAL

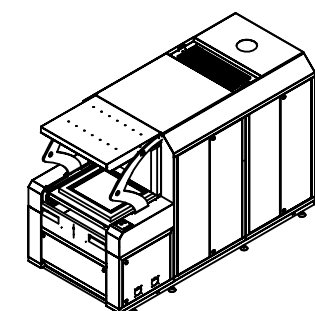
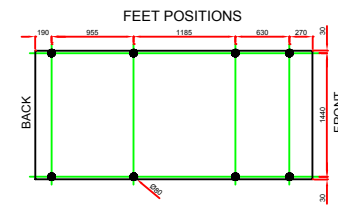


Data written on drawings must be considered as indications and may be changed at any time

| | | | |
|---|-------|--|---|
| Reference: | Code: | D.A.O: | LOGICIEL |
| AUTOMA-TECH ADVANCED TECHNOLOGIES | | designation SEMI-AUTOMATIC EXPOSURE UNIT YAMOSA-CA5 + YA1400 | numero/number: YCOM023 Feuille/leaf: 1 / 2 |
| Tel : 02.32.63.36.36 parc d'affaires des portes - chaussee Fax : 02.32.63.36.37 du vevin - 27100 - VAL DE REUIL | | Nom/Name: H.GILLES | Index/index: 5 Date: 04.11.2007 Format: A4 |
| Tous droits strictement reserves. Reproduction ou communication a des tiers interdite sans autorisation ecrite du proprietaire. All rights strictly reserved. Copyright or communication to a third party is not permitted without written authorization of the owner. | | | |



| | |
|--------------------|--|
| Panel | Maximum PCB: 660mm x 559mm (26"x22") Minimum PCB: 254mm x 254mm (10"x10") |
| Artworks | Maximum size: 711mm x 610mm (28"x24") The size is defined in function of the maximum PCB size - Art. Length = Max. PCB Length + 50mm - Art. Width = Max. PCB Width + 50mm |
| UV source | 1 x 5000 W |
| Electric supply | 380V+/-10V - 50Hz / 3 phases Power to install: 12 kW For an electrical network with tension: - 380V: Nominal intensity=20A/phase. BEWARE: during the making alive, foresee an intensity spike equal to 6 x Nominal intensity (due to inductive load). |
| Pneumatic supply | Pressure : 6 to 7 bars Flow rate: 1,5 m3/min Connection: To supply 1 Tube Ø16 external |
| Water supply | Flow rate: 15 l/min at 6°C or 30l/min at 12°C Pressure: 4 bars Difference of water Pressure input pressure/output pressure=2.7 bars MAX Water supplies (Input/Output): To supply 2 tubes with male connector 1" |
| Weight | 2000 Kg |
| Working conditions | Room must be 20°C ±2°C and max. 60% air moisture |



Data written on drawings must be considered as indications and may be changed at any time

| | | | |
|---|-------|--|---|
| Reference: | Code: | D.A.O: | LOGICIEL |
| AUTOMA-TECH ADVANCED TECHNOLOGIES | | designation SEMI-AUTOMATIC EXPOSURE UNIT YAMOSA-CA5 + YA1400 | numero/number: YCOM023 Feuille/leaf: 2 / 2 |
| Tel : 02.32.63.36.36 parc d'affaires des portes - chaussee Fax : 02.32.63.36.37 du vevin - 27100 - VAL DE REUIL | | Nom/Name: H.GILLES | Index/index: 5 Date: 04.11.2007 Format: A4 |
| Tous droits strictement reserves. Reproduction ou communication a des tiers interdite sans autorisation ecrite du proprietaire. All rights strictly reserved. Copyright or communication to a third party is not permitted without written authorization of the owner. | | | |