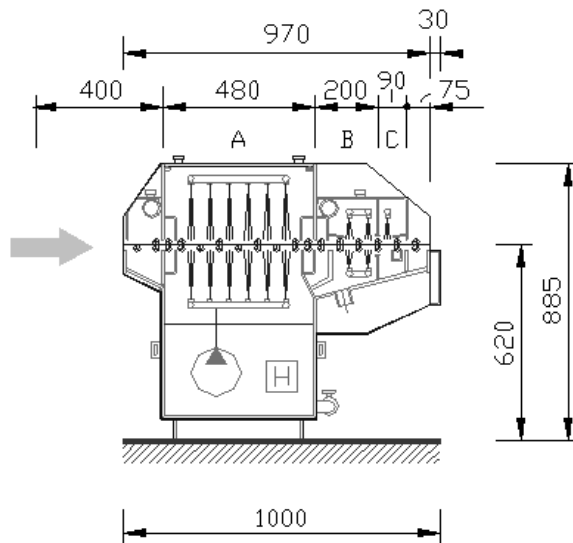


General features of the machine

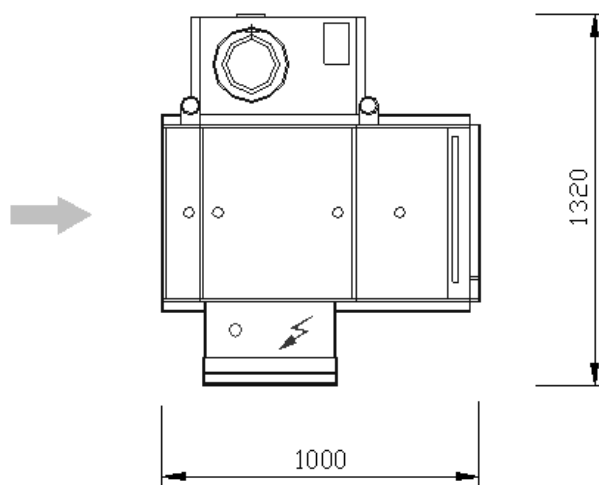
- ✓ **Construction material PVC**
- ✓ **Adjustable speed from 0 to 2.5 m/min**
- ✓ **Working height 620 mm**
with basement: 900 mm
- ✓ **Voltage 400 V / 50 Hz**
- ✓ **Full conveyor rollers**
- ✓ **Security system on glasses**
- ✓ **Aspiration system on all chambers**
- ✓ **“L” shape heaters**
- ✓ **Digital temperature control**
- ✓ **Digital conveyor system control**
- ✓ **Electrical panel on the machine**
- ✓ **SCAN system**

Indicative drawing: MINI ETCHER



A : ETCHING CHAMBER
 B : WATER RINSING
 C : DEMINER. WATER RINSING

A : AETZ KAMMER
 B : WASSER SPUELZONE
 C : DEMINER. WASSER SPUELZONE



A : CHAMBRE DE GRAVURE
 B : RINCAGE AVEC EAU DE VILLE
 C : RINCAGE AVEC EAU DEMINER.

A : CAMERA INCISIONE
 B : LAVAGGIO ACQUA DI RETE
 C : LAVAGGIO ACQUA DEMINER.

Technical data : MINI ETCHER

Working height	900 mm (620 mm + 280 mm Basement)
Conveyor width	450 mm
Conveyor speed	0÷2,5 m/min step less
Max. Board size	450 x ∞ mm
Min. Board size	120 x 40 mm
Max. Board thickness	4 mm
Min. Board thickness	0,2 mm
Length of chamber	~530 mm of which 360 mm sprayed with etchant
Number of nozzles upper side	No. 13
Number of nozzles lower side	No. 13
Sprayed area	0.162 m ²
Rinsing station	No. 1
Number and power of pumps	No. 1 x 0,45 kW
Tank capacity	100 l
Heaters	No. 1 x 2 kW in Titanium
Cooling coils	-
SCAN system	present
Water consumption	max 8 l/min
Total power installed	~2,5 kW

PICTURES OF THE MACHINES





